



AF-10/AF-14
Special Effects Fan
User Manual
- English
- 中文






1. Introduction	1
2. Safety Information.....	1
3. Package Contents & Inspection.....	2
4. Machine Details.....	3
5. Technical Label Information	3
6. Setting and Manual Operation.....	4
7. Control Settings	4
8. DMX Connection	6
9. RDM Function.....	6
10. WTR-110 Wireless Remote (Optional).....	7
11. EasySwitch W-DMX Receiver (Optional).....	8
12. Service and Maintenance.....	9
13. Technical Specifications	9
14. Warranty Disclaimer.....	10
15. Machine Dimension.....	10
1. 前言	12
2. 安全注意事項	12
3. 包裝內容與檢查.....	13
4. 機器訊息	14
5. 技術標籤資訊.....	14
6. 設定與手動操作說明	15
7. 控制設定	16
8. DMX 說明.....	17
9. RDM 功能.....	18
10. WTR-110 無線控制器(選配).....	18
11. EasySwitch 無線 DMX 接收器(選配).....	19
12. 維護和保養	21
13. 技術規格	21
14. 保固聲明	22
15. 機器尺寸圖	22
Appendix I - Grounding Instruction.....	24

User Manual

1. Introduction

Please read all the user manual before operating the machine, and place the manual where the user can refer to it at all time. The manual includes how to install and operate the machine under safe condition and explain all the labels printed on the machine. If you encounter any problem, contact your local Antari dealer for assistant immediately.

2. Safety Information

	DANGER	If the danger is not avoided, it will cause death or serious injury
	WARNING	If the warning is not heeded, it can cause death or serious injury.
	CAUTION	If the precaution is not taken, it may cause minor or moderate injury.



DANGER

- Must connect the machine to the correct rated voltage or it might lead to an electrical shock or a burn and may cause serious consequences.
- Must connect the machine to a protected circuit and ensure it is properly grounded to avoid the risk of electrocution. For grounding instruction, please refer to Appendix I on page 24.
- Do not operate the machine with a bundled power cord, it could lead to a fire hazard.
- Do not use the fan in an environment full of flammable gas, susceptible to water or powder. Keep away from any fire and heat sources.
- When operating the machine, do not point at people, animals, or fire.



WARNING

- Please operate the machine on a flat, level hard and well ventilated surface area, reserve at least 50cm space around the machine and make sure there is no flammable gas or material nearby.
- Do not disassemble, repair or modify the machine, it may cause damages, malfunction, risk of electrical shock or result in fire.
- The machine can only be operated by adults or professionals, is not intended for use by person with reduced physical sensory, mental capabilities, or lack of experience and knowledge including children.
- Do not leave the machine running unattended, make sure all powers are off when leaving.
- Children should be supervised to ensure that they do not play with the machine.
- Do not use the machine upside down or tilt it, it might cause damages or malfunction.
- Never allow any object or part of your body to enter path of the fan blades to prevent any injury or damages
- Do not spray the fan with any liquid including cleaner and insecticide to avoid injury or damages.



CAUTION

- The machine is water splash resistance, do not expose the machine to poor drainage environment or soak in the water.
- Please make sure the power outlet is not damaged or loose before plug in the power cord.
- If the power cord is damaged, it must be replaced by Antari or its local dealers, otherwise the warranty will be void.
- Do not operate the machine in any area with unstable voltage.
- If you experience strange sound or malfunction, turn off the power and unplug the power cord immediately and contact your local Antari dealer for assistant.

- Do not contact any moving part.
- Only use accessories recommended or sold by Antari.
- Please make sure the power is off when not using the machine and unplug the power cord if not intend to use for a long period of time.
- To disconnect, turn all controls to the off position, then remove plug from outlet.
- Do not unplug by pulling on cord. To unplug, grasp the plug, not the cord.
- Unplug from outlet before servicing or cleaning.
- Ensure that curtain, clothing, cables or other items cannot be suck into the fan.
- Do not operate the machine with a damaged cord or plug, or after the machine malfunctions or is dropped or damaged in any manner. Return machine to the nearest authorized service facility for examination, repair, or electrical or mechanical adjustment.
- After a period of operation, abnormal noise and uneven air volume may appear because of dust blocking airflow. It will disappear after cleaning the air inlet and outlet.



IP55 RATED

The **International Protection (IP)** rating system is commonly expressed as “**IP**” (Ingress Protection) followed by two numbers (i.e. IP55), where the numbers define the degree of protection. The first digit (Foreign Bodies Protection) indicates the extent of protection against particles entering the fixture, and the second digit (Water Protection) indicates the extent of protection against water entering the fixture. An **IP55** rated machine is designed and tested to protect against the ingress of dust (5), and low-pressure water jets from any direction (5).

NOTE: THE MACHINE IS INTENDED FOR TEMPORARY OUTDOOR USE ONLY!

AF-10/AF-14 Printing

Warning

- Keep all body parts, clothing, tools, and other objects clear of moving parts at all times.
- Do not block or obstruct airflow from the front or rear of the fan.
- Children and untrained persons must not operate the fan.
- Do not expose the unit to heavy rain, moisture, or excessively dusty environments.
- No user serviceable part inside
- Use only authorized accessories or control devices specified by the manufacturer.

AFC-1 Cover Printing

- Disconnect power before changing fuse
- No user serviceable part inside

3. Package Contents & Inspection

Immediately upon receiving the machine, carefully unpack the carton, check the content to ensure it is the correct model and all parts are included. If any part appears to be damaged or missing during transportation, please contact your local dealer and return with original package for inspection.

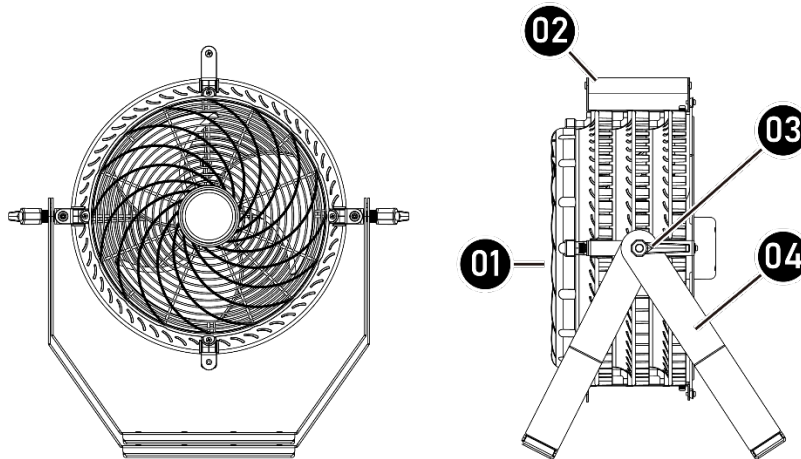
3.1 Package Contents

AF-10	AF-14
1 x AF-10 Special Effects Fan	1 x AF-14 Special Effects Fan
1 x AFC-1 Fan Controller	1 x AFC-1 Fan Controller
1 x Power Cable with SEETRONIC IP65 Connector	1 x Power Cable with SEETRONIC IP65 Connector
1 x Dual Use Bracket	1 x Dual Use Bracket
1 x Quick Start Guide	1 x Quick Start Guide

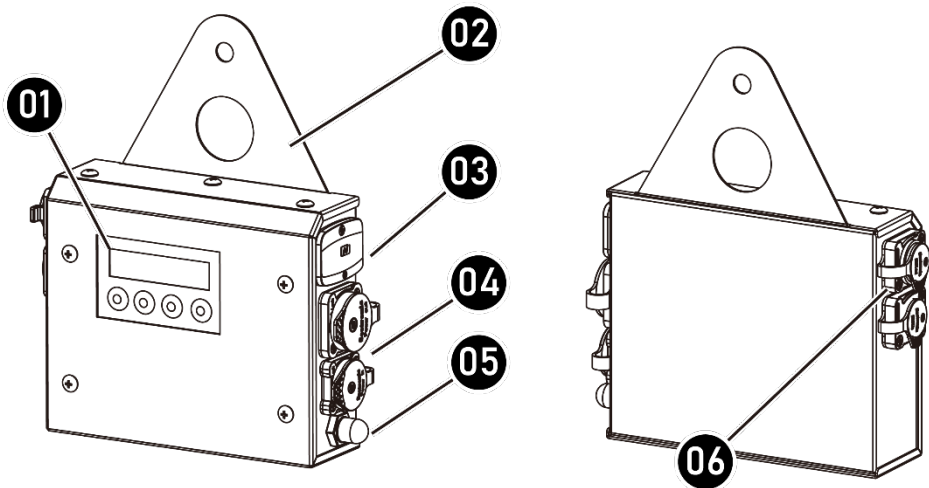
3.2 Optional Accessories

Item Code	Description
WTR-110 Wireless Remote	W-2 Wireless Transmitter/ EasySwitch Wireless Receiver
ES-W-DMX Receiver	EasySwitch Wireless DMX Receiver

4. Machine Details



01. Wind Outlet	03. Adjusting Knob
02. Handle	04. Dual Use Bracket



01. Digital Control Interface	04. IP65 Power Connector IN/OUT
02. Bracket	05. Breaker
03. Expansion Socket	06. IP65 XLR 5-Pin Connector (DMX)

5. Technical Label Information

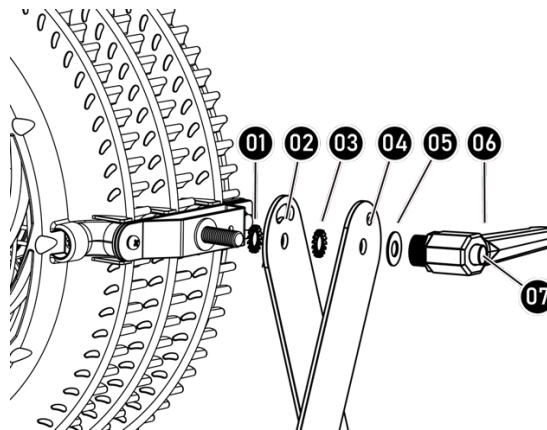
Please read the technical label information on the back of the machine before operating it.

1. Model Name	5. Breaker/Fuse
2. Input Voltage	6. QR CODE for User Manual
3. Frequency	7. Serial No.
4. Rated Power	

6. Setting and Manual Operation

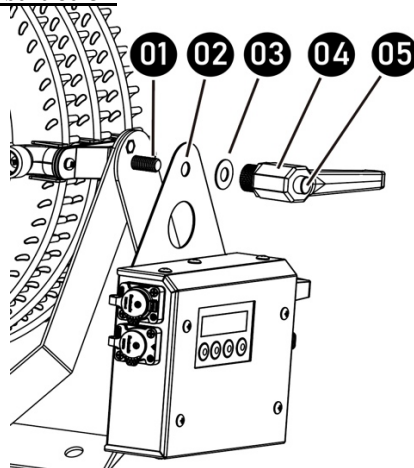
- Step 1.** Place the machine on a flat, level hard and well ventilated surface area and reserve at least 50cm open space around the machine, and make sure there is no flammable gas or material nearby;
- Step 2.** Plug the machine to the power outlet. Please read the technical label on the back of the machine and make sure the power outlet has the correct rated voltage for the machine;
- Step 3.** Plug in to turn on the fan and unplug to turn off the fan or;
- Step 4.** Connect to the AFC-1 Fan Controller, turn on the machine, once the machine is ready for operation, the LCD display will show “Ready To Blow”;
- Step 5.** Press [MENU] and find [Model Selection], and choose your model;
- Step 6.** To start the fan, press [TIMER] and to stop the fan, press [STOP], this will run based on “interval” & “duration” setting in the main menu;
- Step 7.** To manually start the fan, press [VOLUME] and to stop the fan, press [STOP];
- Step 8.** To turn off the machine, please make sure the machine is not operating then turn off the power. If you will not use the machine a long period of time, please remove the power cord.

Fan Bracket Installation Instruction:



- Step 1.** Please follow the sequence 01 – 06 to install the bracket for both sides
- Step 2.** When push the button (07) on the lever, you can rotate the handle to any angles.

AFC-1 Fan Controller Installation Instruction



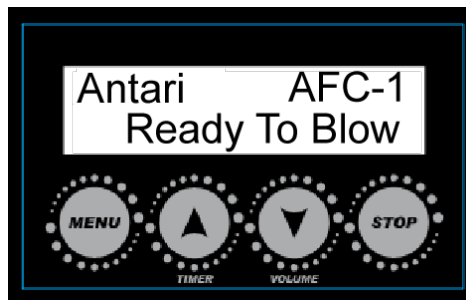
- Step 1.** If you wish to install AFC-1 Fan Controller on the fan, please follow the sequence 01 – 04;
- Step 2.** And when push the button (05) on the lever, you can rotate the handle to any angles;
- Step 3.** Or you can place the AFC-1 Fan Controller according to your need.

7. Control Settings

AFC-1 Fan Controller can be operated in the following modes. The machine can only accept 1 type of signal at a time.

- Manual
- Timer
- DMX512
- Wireless
- W-DMX

7.1 Control Panel Description



AFC-1 Fan Controller can be operated with the digital control interface.

Button	Operating Method	Action
	Press	Enter menu
	Press	Up/Increase value (MENU)
	Press	Down/Decrease value (MENU)
	Press	(Standby Mode) Active TIMER mode according to the set time
	Press	(Standby Mode) Active VOLUME mode according to the set volume
	Press	1. Leave setting menu 2. Deactive "TIMER" or "VOLUME" mode 3. Confirm selection

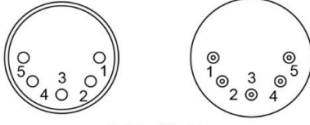
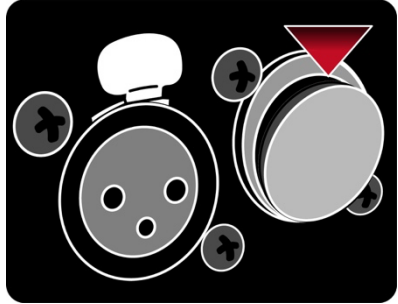
7.2 Menu Options Description

Options	Description
Timer Output 100%	Set Output Volume from 1 - 100% (Timer Mode)
Timer Interval xxx Sec	Set Interval Time from 5 - 999 sec
Timer Duration xxx Sec	Set Duration Time from 5 - 999 sec
Volume Output 100%	Set Output Volume from 1 - 100% (Volume Mode)
DMX512 Add:xxx	Set DMX Address from 001-512
Wireless Function	On / Off
W-DMX	On / Off
Language	EN / 中文
BackLight	On / Off
Keypad Sound	On / Off
Run Last Setting	On / Off
Factory Reset	On / Off
Model Selection	AF-10 / AF-14

8. DMX Connection

8.1 DMX Connector Pin Assignment

This machine has a XLR 5-Pin connector for DMX connection. The diagram below indicates pin assignment information;

 <p>5 Pin XLR</p>	<p>**There is a protection cap on DMX IN, please remove it with your finger before operation.</p> 
Pin	Function
1	Ground
2	Data-
3	Data+
4	NA
5	NA

8.2 DMX Channel Function

Channel Mode		DMX Value Range	Function
1 Channel	Fan Speed	0 – 5	Off
		6 – 255	Fan Speed 1 - 100%

9. RDM Function

AFC-1 Fan Controller is RDM enabled, allowing control system to configure, monitor and manage. See below table for supported RDM categories and parameters.

9.1 RDM Categories/Parameter ID Defines

GET Allowed	SET Allowed	Category	RDM Parameter ID's	Value	Required
		Network Management	DISC UNIQUE BRANCH	0x0001	○
			DISC MUTE	0x0002	○
			DISC UN MUTE	0x0003	○
○		RDM Information	SUPPORTED PARAMETERS	0x0050	○
○		Product Information	DEVICE INFO	0x0060	○
○			PRODUCT DETAIL ID LIST	0x0070	
○			DEVICE MODEL DESCRIPTION	0x0080	
○			MANUFACTURER LABEL	0x0081	
○	○		DEVICE LABEL	0x0082	
○			LANGUAGE CAPABILITIES	0x00A0	
○	○		LANGUAGE	0x00B0	
○			SOFTWARE VERSION LABEL	0x00C0	○
○	○	DMX512 Setup	DMX PERSONALITY	0x00E0	
○			DMX PERSONALITY DESCRIPTION	0x00E1	
○	○		DMX START ADDRESS	0x00F0	○
○			SLOT INFO	0x0120	
○			SLOT DESCRIPTION	0x0121	
○			DEFAULT SLOT VALUE	0x0122	

GET Allowed	SET Allowed	Category	RDM Parameter ID's	Value	Required
O		Sensors	SENSOR_DEFINITION	0x0200	
O	O		SENSOR_VALUE	0x0201	
O		Control	DEVICE_HOURS	0x0400	
O	O		IDENTIFY_DEVICE	0x1000	O
O	O		POWER_STATE	0x1010	

10. WTR-110 Wireless Remote (Optional)

WTR-110 Wireless Remote is an optional accessory for AFC-1 Fan Controller, it included a W-2 wireless transmitter and an EasySwitch Wireless Receiver. If you already purchased the wireless model, it's ready to use. If you purchase afterwards, please follow the instruction below. If you encounter any problem, please contact your local Antari dealer for assistant.

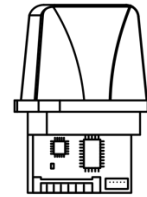
10.1 W-2 Wireless Transmitter & EasySwitch Wireless Receiver

- Battery : 27A 12V
- Effective Range : The effective range is approximately 50 meter, depends on actual condition, it may vary.
- If effective range is significantly shorter, please change battery.
- W-2 wireless transmitter has 4 buttons, each function as follow:



W-2 Wireless Transmitter

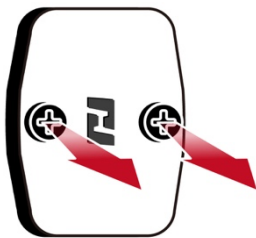
Button	Function
[A]	Start Fan
[B]	Stop Fan
[C]	Increase Fan Output
[D]	Decrease Fan Output



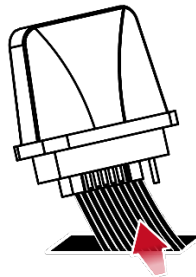
EasySwitch Wireless Receiver

10.2 EasySwitch Wireless Receiver Installation

Please follow the instructions below to install the receiver.



Graph 1



Graph 2



Graph 3

1. Please see graph 1, remove the screw from the pointed place and pull the cover;
2. You will see a white cable like graph 2, pull it out and connect to the EasySwitch wireless receiver;
3. Screw it back to the machine show in graph 3 and follow the instruction on 10.3 for pairing.

10.3 Pair & Unpair

Each receiver can pair up to 5 transmitters, please follow the steps below to pair or unpair the transmitter;

Step 1. Press [MENU] to enter menu, select [Wireless Function], press [UP] to choose [On] to turn on Wireless Function;

Step 2. Press [MENU] to enter menu, select [Wireless], press [UP] to choose [Pair] and press [STOP];

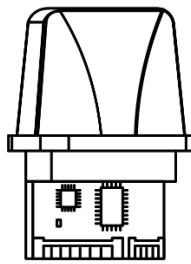
- Step 3.** When screen show Press [A], then press [A] on the W-2 wireless transmitter to pair;
- Step 4.** When screen show [Pair Completed], then it's successful;
- Step 5.** If you want to pair multiple transmitters, repeat Step 1 – 4;
- Step 6.** To unpair, press [MENU] to enter menu, select [Wireless], press [UP] to choose [Unpair] and press [STOP];
- Step 7.** When screen show [Unpair Completed], then it's successful

Note: Wireless function will ONLY appear in the menu when you connect the EasySwitch Wireless Receiver to the machine and screen will show [W]

11. EasySwitch W-DMX Receiver (Optional)

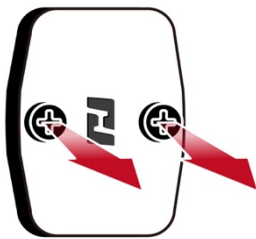
EasySwitch W-DMX Receiver is an optional accessory for AFC-1 Fan Controller, it included a EasySwitch W-DMX receiver. If you already purchased the W-DMX model, it's ready to use. If you purchase afterwards, please follow the instruction below. If you encounter any problem, please contact your local Antari dealer for assistant.

11.1 EasySwitch W-DMX Receiver

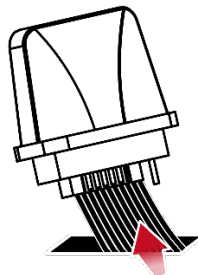


11.2 EasySwitch W-DMX Receiver Installation

Please follow the instructions below to install the receiver.



Graph 1



Graph 2



Graph 3

1. Please see graph 1, remove the screw from the pointed place and pull the cover;
2. You will see a white cable like graph 2, pull it out and connect to the EasySwitch wireless receiver;
3. Screw it back to the machine like graph 3 and follow the instruction on 11.3 for pairing.

11.3 Pair & Unpair

Please follow the steps below to link or unlink W-DMX signal;


- Step 1.** Press [MENU] to enter the menu, select [W-DMX] and Press [UP] to choose [On] to turn on W-DMX function, and you can see status on the screen
- Step 2.** It will automatically search for signal and pair;
- Step 3.** To unpair, press [MENU] to enter the menu, select [W-DMX Unpair] and press [UP] to choose [Yes], then press [STOP] to proceed;
- Step 4.** When show [Unpair Completed], it's successful

Note: W-DMX function will ONLY appear in the menu when you connect the EasySwitch W-DMX Receiver to the machine and screen will show [W]

11.4 Status of W-DMX

Signal on LCD Display	Wireless DMX Status
○	Transmitter not assigned
◉	Transmitter assigned, no DMX signal
◐	Transmitter link lost or linking to transmitter
●	Transmitter assigned, DMX signal received

12. Service and Maintenance

	DANGER	Disconnect the power cord before starting maintenance operation!
---	---------------	--

- Always keep the machine clean.
- Can use an air compressor, a lower pressure water jet, a vacuum or a soft brush to remove the dust on the machine.
- Can use a slightly damp cloth to clean the casing.
- It is recommended to run the machine at least once a month in order to maintain its best performance and output condition.
- Excessive dust will reduce the performance and cause overheat.

AFC-1 Fan Controller Breaker Specification

125 / 250V 3A

13. Technical Specifications

	AF-10	AF-14
Rated Voltage	US Model : AC 100-120V, 50/60Hz 0.5A EU Model : AC 220-240V, 50/60Hz 0.5A	US Model : AC 100-120V, 50/60Hz 2.0A EU Model : AC 220-240V, 50/60Hz 1.0A
Rated Power	120V 60W 240V 65W	120V 190W 240V 145W
Ambient Temp. Range	0°C – 40°C (32°F – 104°F)	
Air Flow	1913 CFM (60Hz)	2648 CFM
Fan Speed	1640±40RPM	1650±40RPM
Noise Level	51.0 dB (Max. Output)	59.0 dB (Max. Output)
Control Methods	Manual Timer DMX512 Wireless (Optional) Wireless DMX (Optional)	
DMX Channel	1 Channel	
Interface	SEETRONIC IP65 Connector (Power) SEETRONIC IP65 XLR 5-Pin Connector (DMX)	
Included Accessories	Dual Use Bracket AFC-1 Fan Control	
Optional Accessories	WTR-110 Wireless Module ES-W-DMX Wireless DMX	
Dimension	L326 W535 H487 mm L12.84 W21.07 H19.18 inch	L432 W656 H623 mm L17.00 W25.83 H24.53 inch
Weight	8.2 kg	14.8 kg

	AF-10	AF-14
	18.08 lbs	32.63 lbs

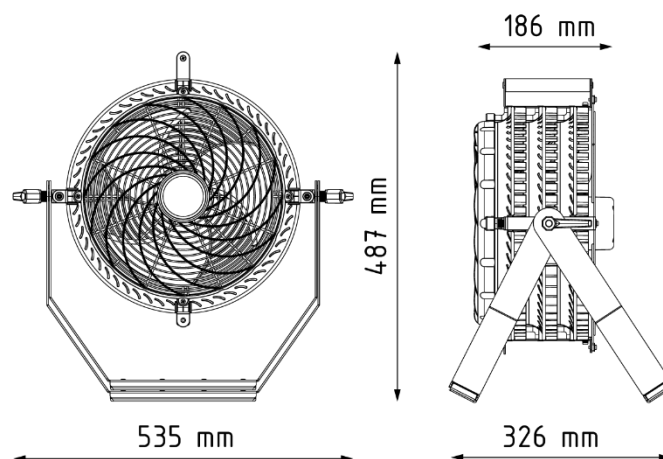
	AFC-1
Input Voltage	US Model : AC 100 - 120V, 50 / 60 Hz 2.5A EU Model : AC 220 - 240V, 50 / 60 Hz 1.5A
Rated Power	120V 300W 240V 300W
Ambient Temp. Range	0 °C - 40 °C (32 °F - 104 °F)
Control Methods	Manual Timer DMX512 Wireless (Optional) Wireless DMX (Optional)
DMX Channels	1 Channel
Interface	SEETRONIC IP65 Connector (Power) SEETRONIC IP65 XLR 5-Pin Connector (DMX)
Included Accessories	N/A
Optional Accessories	WTR-110 Wireless Module ES-W-DMX Wireless DMX
Dimension	L229 W196 H53 mm L9.02 W7.72 H2.09 inch
Weight	1.3 kg 2.87 lbs

14. Warranty Disclaimer

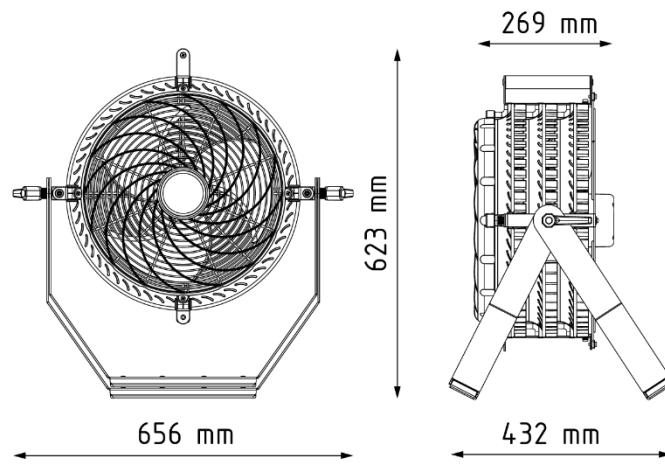
We guarantee the merchandise manufactured by us to be free from defect in material and workmanship for a period of one year. Our obligation and liability under this warranty shall be restricted to repair or replacement at our factory or local authorized dealer. We assume no liability of the products that are improperly used or used for any purpose other than that for which they are specially designed. This warranty shall not apply to any merchandise which has been repaired, altered or assembled outside our factory in any way so as in our judgment to affect its performance, nor which has been subjected to misuse, negligence, or accident nor to any merchandise operated contrary to our printed instructions. We will not allow or be liable of any loss or any damages of any kind in connection with the use, sale, or repair of any merchandise purchased from us.

15. Machine Dimension

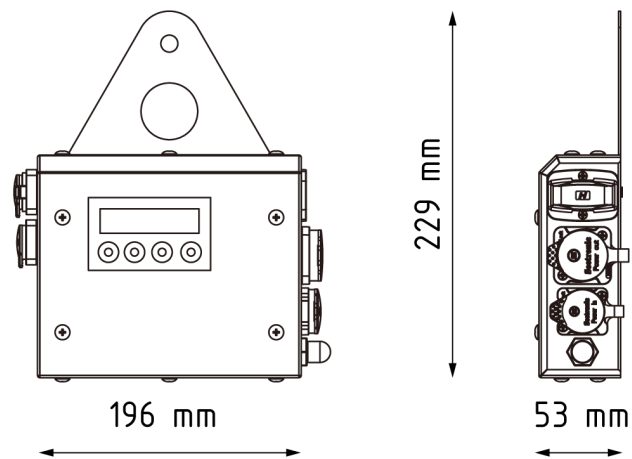
AF-10



AF-14



AFC-1






ANTARI FAN AF-10 AF-14

中文使用說明書

1. 前言

在操作本機器之前，請務必仔細詳閱本說明書然後請將本說明書放置在機器使用者可隨時查閱之處存放。此說明書包含如何安全的安裝及操作本機器以及說明所有在機器上的標示。如果您有任何操作上的問題，請立即聯繫當地的 Antari 經銷商尋求協助。

2. 安全注意事項

 危險	若不確實避免這些指示，可能導致嚴重人身傷害甚至死亡。
 警告	若不確實遵循這些指示，可能導致嚴重人身傷害甚至死亡。
 注意	若不確實注意這些指示，可能導致人身傷害甚至死亡，嚴重程度視情況而定。

危險

- 請務必使用正確電壓。如果使用錯誤電壓，可能會遭受危險的電擊燒傷或更嚴重的後果。
- 請務必將機器連結到有保護的電路，並確保有正確地接地，以避免觸電的危險。關於接地方式請參考第 24 頁附錄 I。
- 請勿在捆綁電源線的情況下使用，可能會發熱導致火災。
- 禁止在有易燃氣體、易被水淋、粉塵較多的地方使用風扇。請遠離火源及熱源。
- 操作機器時請勿將機器對著人體、動物或火焰使用。

警告

- 請於堅固、平坦、穩定且通風良好的表面上使用機器。請勿遮蓋機器散熱部份，機器周邊至少應保留公分的空間並確認附近沒有易燃性物質或可揮發性氣體。
- 請勿隨意拆卸、修理或改造機器，這可能會導致機器故障、損壞、觸電危險或造成火災。
- 本機器僅限有行為能力之成人或專業人員操作，不預期提供生理、感知、心智能力、經驗或知識不足者之使用者(包含孩童)使用本機器。
- 請勿在無人看管時讓機器運作，並於外出離去時確實關閉電源。
- 孩童應受監督，以確保孩童不能操作或嬉戲玩本機器。
- 請勿將機器倒放或傾斜使用，可能導致機器動作不正常或損壞。
- 禁止將其他物體或身體部位插入前後網內，避免受傷或損壞。
- 請勿將任何液體包含清潔劑與殺蟲劑等，噴向風扇避免受傷或損壞。

注意

- 本機器為防潑水設計，嚴禁將其浸水或放在排水不良易積水的環境。
- 在插入電源插座前，請確認電源插座無損壞或鬆動。
- 若電源線損壞，必須使用原廠電源線或組件進行更換，否則將導致保固無效。
- 請勿在電壓不穩定的地區使用本機器。
- 如果機器出現異常聲音或有任何不正常現象時，請立即停止工作，將電源關閉及拔下機器電源線，並

請聯繫當地的 Antari 經銷商尋求協助。

- 請勿觸碰機器內部運轉零件。
- 只能使用原廠建議或販售之配件。
- 請確認機器不在使用的狀態下電源已關。如果長時間不使用機器，請拔掉電源線。
- 關閉機器時，將所以控制開關轉到關閉的位置，然後再將插頭從插座拔除。
- 拔除電源線時，請抓住插頭不是電線。
- 應遠離窗簾、衣物、電線或其他異物，避免被風扇葉片捲入。
- 在保養及清潔前，請把電源線從插座拔除。
- 在電線或插座有損毀、機器故障或有掉落或損壞的情形發生時，請勿操作機器。請將機器送回最近的維修站，做檢查、維修及電源或機械的調整。
- 使用一段時間後，因為灰塵阻擋空氣流動，有可能會產生異音或不均勻風量。在清潔過後就會恢復正常。



IP55 防護等級

國際防護 (IP) 等級系統通常表示為「IP」(防護等級)，後面跟隨兩個數字 (例如 IP55)，這些數字定義了防護程度。第一個數字 (防異物保護) 表示對進入設備的顆粒的防護程度，第二個數字 (水防護) 表示對水進入設備的防護程度。IP55 防護等級的機器經過設計和測試，可防止灰塵 (5) 的進入，並能承受來自各個方向的低壓水流 (5)。

注意：此機器僅適用於臨時戶外使用！

AF-10/AF-14 印刷

警告！

Keep all body parts, clothing, tools, and other objects clear of moving parts at all times.

請勿將身體部位、衣物、工具或其他物品接近風扇運轉部位

Do not block or obstruct airflow from the front or rear of the fan.

請勿遮擋或阻塞風扇前後的氣流出口。

Children and untrained persons must not operate the fan.

兒童及未受訓人員不得操作本風扇。

Do not expose the unit to heavy rain, moisture, or excessively dusty environments.

請勿將本設備暴露於大雨、潮濕或過於多塵的環境中。

No user serviceable part inside

本設備內部無使用者可維修部件。

Use only authorized accessories or control devices specified by the manufacturer.

僅使用製造商指定的授權配件或控制裝置。

AFC-1 上蓋印刷

Disconnect power before changing fuse 更換保險絲前請先斷開電源

No user serviceable part inside 機器內部無使用者可維修部件

3. 包裝內容與檢查

在收到機器後，請立即小心地打開包裝紙箱，檢查所有內容，確認您所購買的機型及配件。如果有任何部件因運輸過程出現損壞或缺少，請立即連絡經銷商，並以原包裝退回檢查。

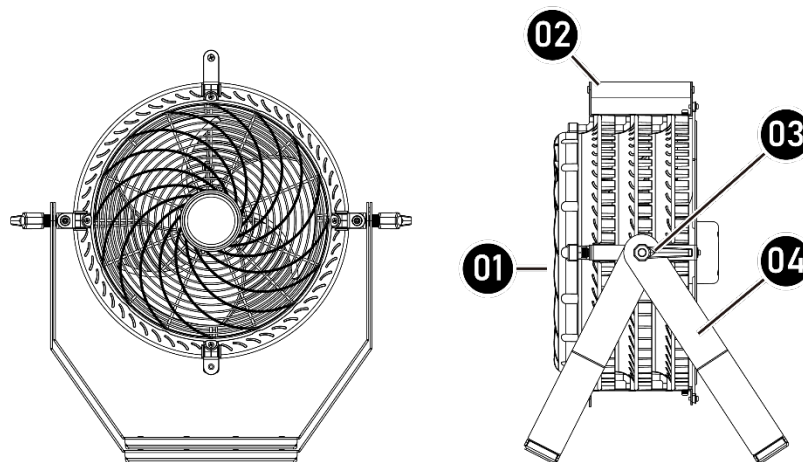
3.1 包裝內容

AF-10	AF-14
1 x AF-10 特效風扇	1 x AF-14 特效風扇
1 x AFC-1 風扇控制盒	1 x AFC-1 風扇控制盒
1 x SEETRONIC IP65 接頭電源線	1 x SEETRONIC IP65 接頭電源線
1 x 雙用支架	1 x 雙用支架
1 x 簡易說明書	1 x 簡易說明書

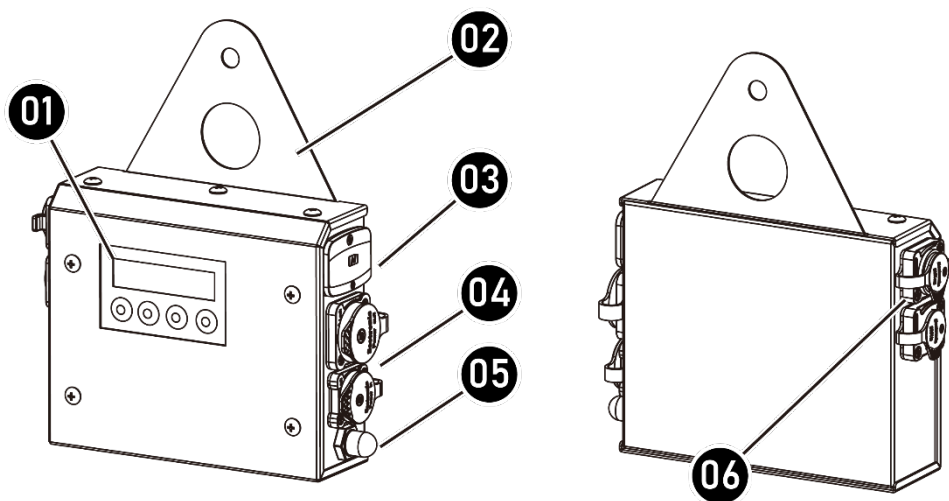
3.2 選配說明

品項	描述
WTR-110 無線控制器	W-2 無線發射器/EasySwitch 無線接收器
ES-W-DMX 接收器	EasySwitch 無線 DMX 接收器

4. 機器訊息



01. 出風口	03. 調整旋鈕
02. 把手	04. 雙用支架



01. 數位控制面板	04. IP65 電源連接頭 IN/OUT
02. 托架	05. 斷路器
03. 擴充槽	06. IP65 XLR 5-Pin 連接頭(DMX)

5. 技術標籤資訊

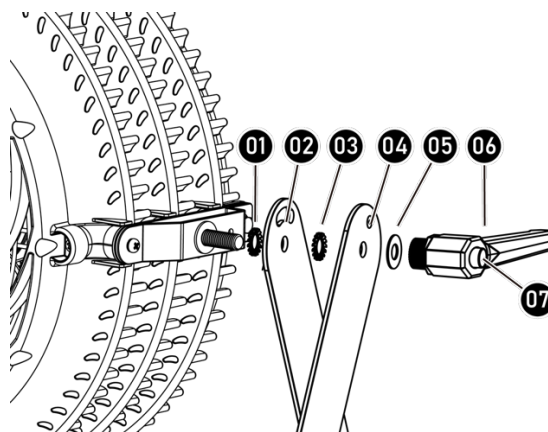
使用本機器前，請詳閱位於機器後方的技術標籤訊息。

1. 機器型號	5. 斷路器/保險絲
2. 工作電壓	6. 說明書 QR CODE
3. 頻率	7. 機器流水序號
4. 瓦特數	

6. 設定與手動操作說明

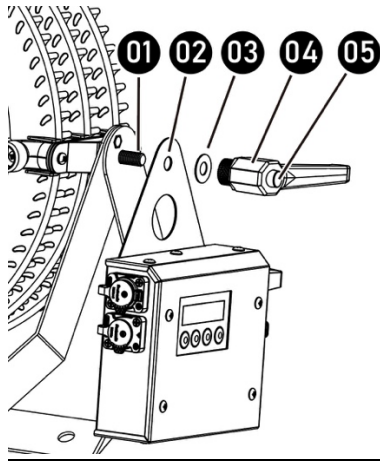
- 步驟1. 將機器平放在堅固、平坦、穩定且通風良好的表面上，機器周圍至少應保留 50 公分的空間並確認附近沒有易燃性物質或可揮發性氣體；
- 步驟2. 將機器連接電源插座，連接之前，確認機器背後技術標籤上所標示要求功率，是否與電源插座相符；
- 步驟3. 插入插頭啟動風扇，拔開插頭關閉風扇，或者；
- 步驟4. 啟動機器電源後，當機器已經準備好可進行操作時，螢幕會顯示“Ready to Blow”；
- 步驟5. 按下[MENU]，找到[型號設定]，選擇機器型號；
- 步驟6. 欲啟動風扇，按一下控制面板上的[TIMER]；欲停止風扇，請按一下控制面板上的[STOP]，這會按照設定的“間隔時間” & “啟動時間”來運轉；
- 步驟7. 或欲手動啟動風扇，按一下控制面板上的[VOLUME]；停止停止風扇，請按一下控制面板上的[STOP]；
- 步驟8. 需關閉本機時，請確認機器已停止運轉，再將電源開關關閉即可，長時間不使用時請移除電源線。

吊架安裝說明:



- 步驟1. 請依照順序 01 至 06 安裝兩側的支架。
- 步驟2. 當按下手把上的按鈕(07)時，可以將手柄旋轉至任意角度。

AFC-1 風扇控制盒安裝說明



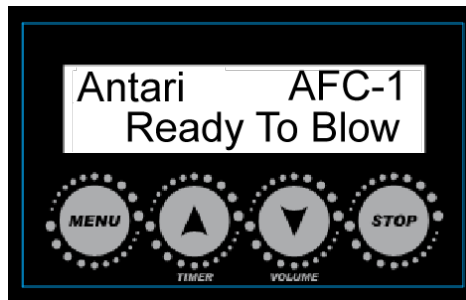
- 步驟1. 欲將 AFC-1 風扇控制盒安裝在風扇上，請依照順序 01 至 04 來安裝；
- 步驟2. 當按下手把上的按鈕(05)時，可以將手柄旋轉至任意角度；
- 步驟3. 或者根據現場需求將 AFC-1 風扇控制盒安裝在需要的地方。

7. 控制設定

AFC-1 風扇控制盒可以使用下列操作模式，機器每次接受一種訊號。

- 手動控制
- 定時控制
- DMX512
- 無線控制
- 無線 DMX

7.1 控制面板說明



AFC-1 風扇控制盒可以使用機器上的數位控制面板來操作。

按鈕	操作方式	動作
	按	進入設置選單
	按	上/增加數值(選單)
	按	下/減少數值(選單)
	按	(待機狀態) 啟動 TIMER 模式

按鈕	操作方式	動作
	按	(待機狀態) 啟動 VOLUME 模式
	按	1. 離開設置選單 2. 解除 TIMER 或 VOLUME 模式 3. 確認選項


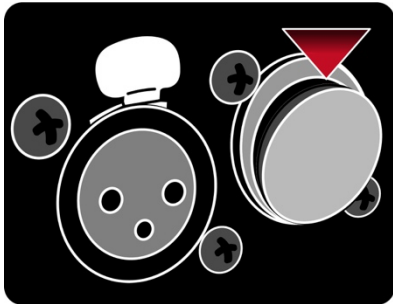
7.2 選單說明

選項	設定值
Timer Output 100% 定時輸出量	設定風扇速度 1 – 100% (定時模式)
Timer Interval xxx Sec 設定間隔時間	設定時間間隔 5 – 999 秒
Timer Duration xxx Sec 設定啟動時間	設定輸出時間 5 – 999 秒
Volume Output 100% 風扇速度	設定風扇速度 1 – 100% (手動模式)
DMX512 Add:xxx	設定 DMX 地址: 001-512
Wireless 無線功能	開啓 / 關閉
無線 DMX 功能	開啓 / 關閉
語言設定	EN / 中文
亮度設定	開啓 / 關閉
按鍵聲設定	開啓 / 關閉
快速啟動	開啓 / 關閉
恢復出廠設定	開啓 / 關閉
型號設定	AF-10 / AF-14

8. DMX 說明

8.1 DMX 說明

本機提供 XLR 5-PIN 的 DMX 連接頭。PIN 的接點說明如下;

 <p>5 Pin XLR</p> <table border="1"> <thead> <tr> <th>Pin</th> <th>Function</th> </tr> </thead> <tbody> <tr> <td>1</td> <td>Ground</td> </tr> <tr> <td>2</td> <td>Data-</td> </tr> <tr> <td>3</td> <td>Data+</td> </tr> <tr> <td>4</td> <td>NA</td> </tr> <tr> <td>5</td> <td>NA</td> </tr> </tbody> </table>	Pin	Function	1	Ground	2	Data-	3	Data+	4	NA	5	NA	<p>**DMX IN 連接頭上有一個保護蓋，操作前，請用手指撥開即可將其取下。</p> 
Pin	Function												
1	Ground												
2	Data-												
3	Data+												
4	NA												
5	NA												

8.2 DMX 通道功能

通道模式		DMX 數值範圍	功能
1 通道	風扇速度	0 – 5	關閉
		6 – 255	風扇速度 1 – 100%

9. RDM 功能

AFC-1 風扇控制盒配有 RDM 功能，讓使用者可以經由 DMX 網路使用 RDM 功能進行機台的設定、監控、管理。請參考下表相關 RDM 支援參數；

9.1 RDM Categories/Parameter ID Defines

GET Allowed	SET Allowed	Category	RDM Parameter ID's	Value	Required
		Network Management 網路管理	DISC_UNIQUE_BRANCH	0x0001	O
			DISC_MUTE	0x0002	O
			DISC_UN_MUTE	0x0003	O
O		RDM Information RDM 資訊	SUPPORTED_PARAMETERS	0x0050	O
O		Product Information 產品資訊	DEVICE_INFO	0x0060	O
O			PRODUCT_DETAIL_ID_LIST	0x0070	
O			DEVICE_MODEL_DESCRIPTION	0x0080	
O			MANUFACTURER_LABEL	0x0081	
O	O		DEVICE_LABEL	0x0082	
O			LANGUAGE_CAPABILITIES	0x00A0	
O	O		LANGUAGE	0x00B0	
O			SOFTWARE_VERSION_LABEL	0x00C0	O
O	O		DMX512 Setup DMX512 設定	DMX_PERSONALITY	0x00E0
O		DMX_PERSONALITY_DESCRIPTION		0x00E1	
O	O	DMX_START_ADDRESS		0x00F0	O
O		SLOT_INFO		0x0120	
O		SLOT_DESCRIPTION		0x0121	
O		DEFAULT_SLOT_VALUE		0x0122	
O		Sensors 感應器	SENSOR_DEFINITION	0x0200	
O	O		SENSOR_VALUE	0x0201	
O		Control 控制	DEVICE_HOURS	0x0400	
O	O		IDENTIFY_DEVICE	0x1000	O
O	O		POWER_STATE	0x1010	

10. WTR-110 無線控制器(選配)

WTR-110 無線控制器是 AFC-1 風扇控制盒的選購配件，包含一個 W-2 無線發射器及 EasySwitch 無線接收器。若您採購的版本已含無線功能，即已安裝至機器上，可直接使用。若是後續採購，請按照下方說明進行安裝與配對。如果遇到任何困難與問題，請與當地的 Antari 經銷商尋求協助。

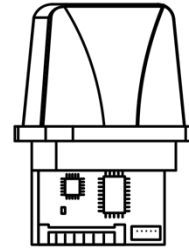
10.1 W-2 無線發射器 & EasySwitch 無線接收器

- 發射器：使用 27A 12V 電池
- 收發距離：有效距離為 50 公尺，實際收訊狀況根據現場環境因素而有所不同。
- 如果發現有效距離明顯減少時，請更換電池。
- W-2 無線發射器配有 4 個按鈕，控制功能為：



W-2 無線發射器

按鈕	功能
[A] 鍵	啟動風扇
[B] 鍵	關閉風扇
[C] 鍵	增加風扇輸出量
[D] 鍵	減少風扇輸出量



EasySwitch 無線接收器

10.2 EasySwitch 無線接收器安裝說明

請按照下方說明進行安裝與配對。

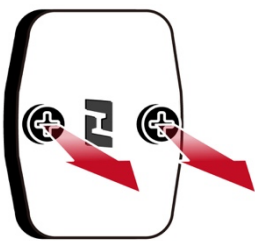


圖 1

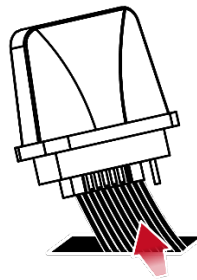


圖 2



圖 3

1. 請看圖一，鬆開螺絲並取下蓋子；
2. 請看圖二，你會看到一條白色的線，請拉出來，接在 EasySwitch 無線接收器上；
3. 請看圖三，將接收器鎖回去原本的地方，然後按照 10.3 的步驟開始配對。

10.3 配對 & 取消配對

每個接收器可以配對最多 5 個控制器，請參考下面步驟配對和取消配對控制器。

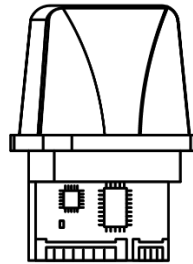
- 步驟 1：按下[MENU]進入選單，選擇[無線控制功能]，按下[UP]選擇[開]，開啟無線功能；
- 步驟 2：再按下[MENU]進入選單，選擇[無線控制]，按下[UP]選擇[配對]，再按下[STOP]；
- 步驟 3：當螢幕顯示按下[A]鍵，立即按下 W-2 發射器上的[A]鍵，進行配對；
- 步驟 4：當螢幕顯示[配對完成]，代表配對成功；
- 步驟 5：如果想要配對多個發射器，請重複步驟 1 - 4
- 步驟 6：欲取消配對，按下[MENU]進入選單，選擇[無線控制]，按下[UP]選擇[取消配對]，再按下[STOP]；
- 步驟 7：當螢幕顯示[取消配對完成]，代表取消配對完成；

注意：當無線接收器安裝在機器上時，螢幕上會顯示[W]，無線功能才會顯示在[MENU]中。

11. EasySwitch 無線 DMX 接收器(選配)

EasySwitch 無線 DMX 接收器是 AFC-1 風扇控制盒的選購配件，包含一個無線 DMX 接收器。若您採購的機型包含此功能，即已安裝至機器上，可直接使用。若是後續採購，請按照下方說明進行安裝與配對。如果遇到任何困難與問題，請與當地的 Antari 經銷商尋求協助。

11.1 無線 DMX 接收器



11.2 無線 DMX 接收器安裝說明

請按照下方說明進行安裝與配對。

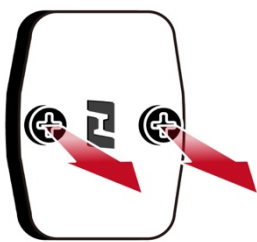


圖 1

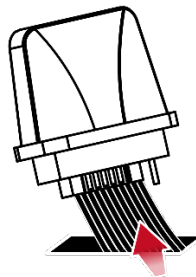


圖 2



圖 3

1. 請看圖一，鬆開螺絲並取下蓋子；
2. 請看圖二，取下後，你會看到一條白色的線，請拉出來接在 EasySwitch 無線 DMX 接收器上；
3. 請看圖三，將接收器鎖回去原本的地方，然後按照 11.3 的步驟開始配對。

11.3 配對 & 取消配對


請參考下面步驟鏈接無線 DMX 訊號；

- 步驟 1：**按下[MENU]進入選單，選擇[無線 DMX]，然後選擇[開]，按下[STOP]，然後就可以在螢幕看到目前狀態；
- 步驟 2：**接收器會自動搜尋及連接訊號；
- 步驟 3：**欲取消配對，按下[MENU]，選擇[無線 DMX 刪除配對]，按下[UP]，選擇[是]，按下[STOP]進行解除配對；
- 步驟 4：**待畫面顯示[刪除配對完成]，即完成取消配對；
- 注意：**當無線 DMX 接收器安裝在機器上時，螢幕上會顯示[P]，無線 DMX 功能才會顯示在[MENU]中。

11.4 連接狀態說明

LCD 螢幕上所顯示的符號	無線 DMX 連結狀態
○	沒有對頻任何無線 DMX 發射器
◉	無線 DMX 發射器已對頻，但沒有 DMX 訊號
◎	無線 DMX 發射器連接遺失 / 正在與發射器連接
●	無線 DMX 發射器已對頻，接收到 DMX 訊號

12. 維護和保養

	危險	維修保養之前，請務必拔除電源線
---	-----------	-----------------

- 隨時保持機器清潔。
- 可以使用空氣壓縮機、低壓水柱、吸塵器或軟刷除去機器上的灰塵。
- 機殼可使用濕布擦拭。
- 建議每月至少讓機器運轉一次，以保持機器處於最佳的性能和輸出條件。
- 機器上過多的灰塵會降低機器工作性能，導致散熱不良。

AFC-1 風扇控制盒保險絲規格

125 / 250V 3A

13. 技術規格

	AF-10	AF-14
額定電壓	美規 : AC 100-120V, 50/60Hz 0.5A 歐規 : AC 100-120V, 50/60Hz 0.5A	美規 : AC 100-120V, 50/60Hz 2.0A 歐規 : AC 100-120V, 50/60Hz 1.0A
額定功率	120V 60 瓦 240V 65 瓦	120V 190 瓦 240V 145 瓦
適用環境溫度	0°C – 40°C (32°F – 104°F)	
風量	1913 立方英尺/分 (60Hz)	2648 立方英尺/分
風扇速度	1640±40RPM 轉/分	1650±40RPM 轉/分
噪音值	51.0 分貝(最大輸出)	59.0 分貝(最大輸出)
控制方式	手動控制 定時控制 DMX 512 無線控制 (選配) 無線 DMX (選配)	
DMX 頻道	1 個頻道	
連接座	SEETRONIC IP65 Connector (主電源) SEETRONIC IP65 XLR 5-Pin Connector (DMX)	
隨附配件	兩用吊架 AFC-1 風扇控制盒	
選購配件	WTR-110 無線控制模組 ES-W-DMX 無線 DMX	
尺寸	長 326 寬 535 高 487 公釐 長 12.84 寬 21.07 高 19.18 英寸	長 432 寬 656 高 623 公釐 長 17.00 寬 25.83 高 24.53 英寸
重量	8.2 公斤 10.08 磅	14.8 公斤 32.63 磅

	AFC-1
輸入電壓	美規 : AC 100 - 120V, 50 / 60 Hz 2.5A 歐規 : AC 220 - 240V, 50 / 60 Hz 1.5A
額定功率	120V 300 瓦 240V 300 瓦
適用環溫	0°C - 40°C (32°F - 104°F)
控制方式	手動控制 定時控制 DMX 512 無線控制 (選配) 無線 DMX (選配)
DMX 頻道	1 個頻道
介面	SEETRONIC IP65 Connector (主電源)

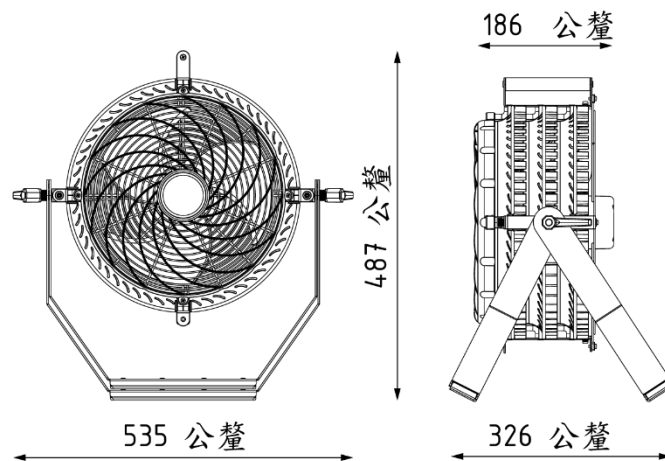
	AFC-1
	SEETRONIC IP65 XLR 5-Pin Connector (DMX)
隨附配件	N/A
選購配件	WTR-110 無線控制模組 ES-W-DMX 無線 DMX
尺寸	長 229 寬 196 高 53 公釐 長 9.02 寬 7.72 高 2.09 英寸
重量	1.3 公斤 2.87 磅

14. 保固聲明

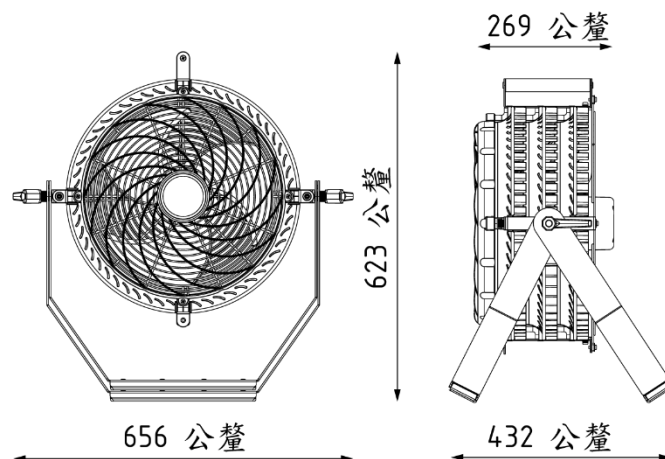
本公司保證我們的商品在一年內沒有材料和製作缺陷。我們在本保證下的義務和責任僅限於在原廠或當地授權經銷商進行的維修或更換。我們對不當使用或用於非專門設計目的以外之用途不承擔任何責任。本保固不適用於以任何方式在原廠或當地授權經銷商外修理、改動或組裝的任何商品，以便我們判斷影響其性能，沒有受到誤用、疏忽或事故的影響，也沒有違反我們的任何商品操作印刷說明。本公司對於從我們這邊購買的商品不會允許也不對於使用、銷售或修理任何產品有關的任何類型的任何損失或損害承擔責任。

15. 機器尺寸圖

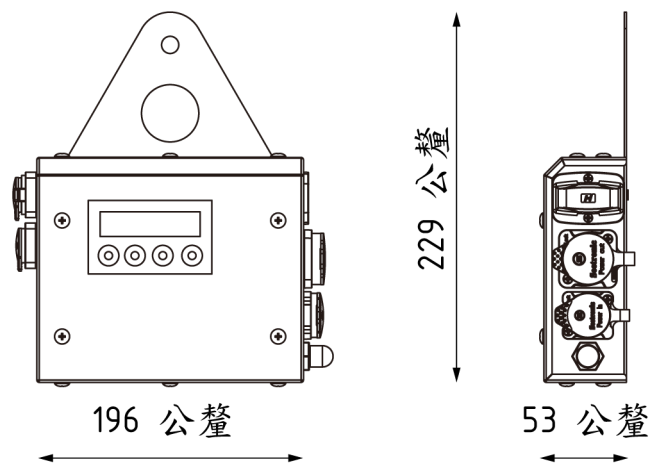
AF-10



AF-14



AFC-1

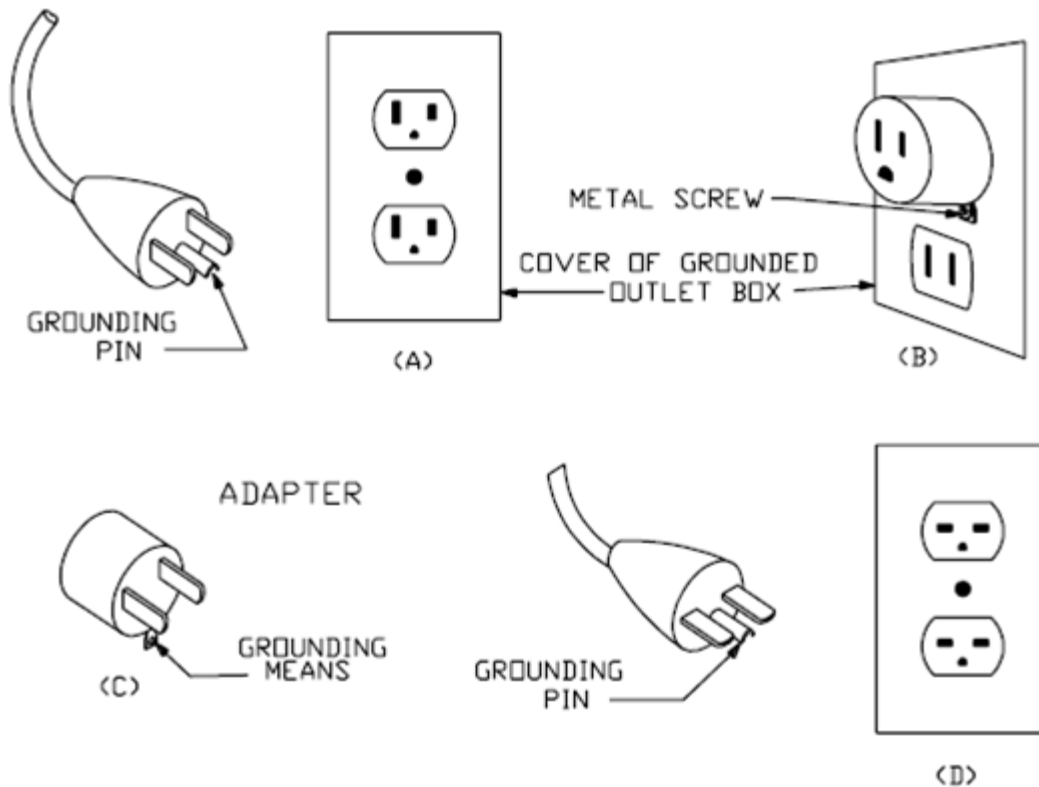


Appendix I - Grounding Instruction

This appliance must be grounded. In the event of malfunction or breakdown, grounding provides a path of least resistance for electric current to reduce the risk of electric shock. This appliance is equipped with a cord having an equipment-grounding conductor and a grounding plug. The plug must be plugged into an appropriate outlet that is properly installed and grounded in accordance with all local codes and ordinances.

DANGER – Improper connection of the equipment-grounding conductor can result in a risk of electric shock. The conductor with insulation having an outer surface that is green with or without yellow stripes is the equipment-grounding conductor. If repair or replacement of the cord or plug is necessary, do not connect the equipment-grounding conductor to a live terminal. Check with a qualified electrician or serviceman if the grounding instructions are not completely understood, or if in doubt as to whether the appliance is properly grounded. Do not modify the plug provided with the appliance – if it will not fit the outlet, have a proper outlet installed by a qualified electrician.

This appliance is for use on a nominal 120V circuit, and has a grounding plug that looks like the plug illustrated in sketch A in Figure. A temporary adaptor, which looks like the adaptor illustrated in sketches B and C, may be used to connect this plug to a 2-pole receptacle as shown in sketch B if a properly grounded outlet is not available. The temporary adaptor should be used only until a properly grounded outlet can be installed by a qualified electrician. The green colored rigid ear, lug, and the like, extending from the adaptor must be connected to a permanent ground such as a properly grounded outlet box cover. Whenever the adaptor is used, it must be held in place by the metal screw.





C08AF1C01